



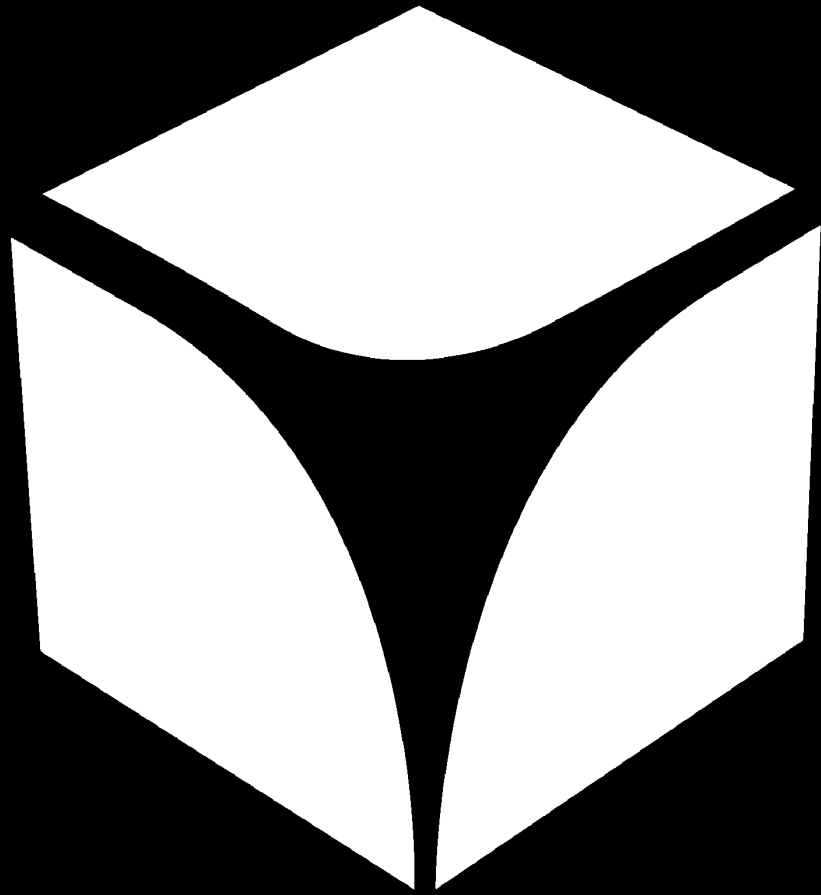
STEELPRODUCT



2024

NEW PRODUCT
LOFT / OFFICE SYSTEM

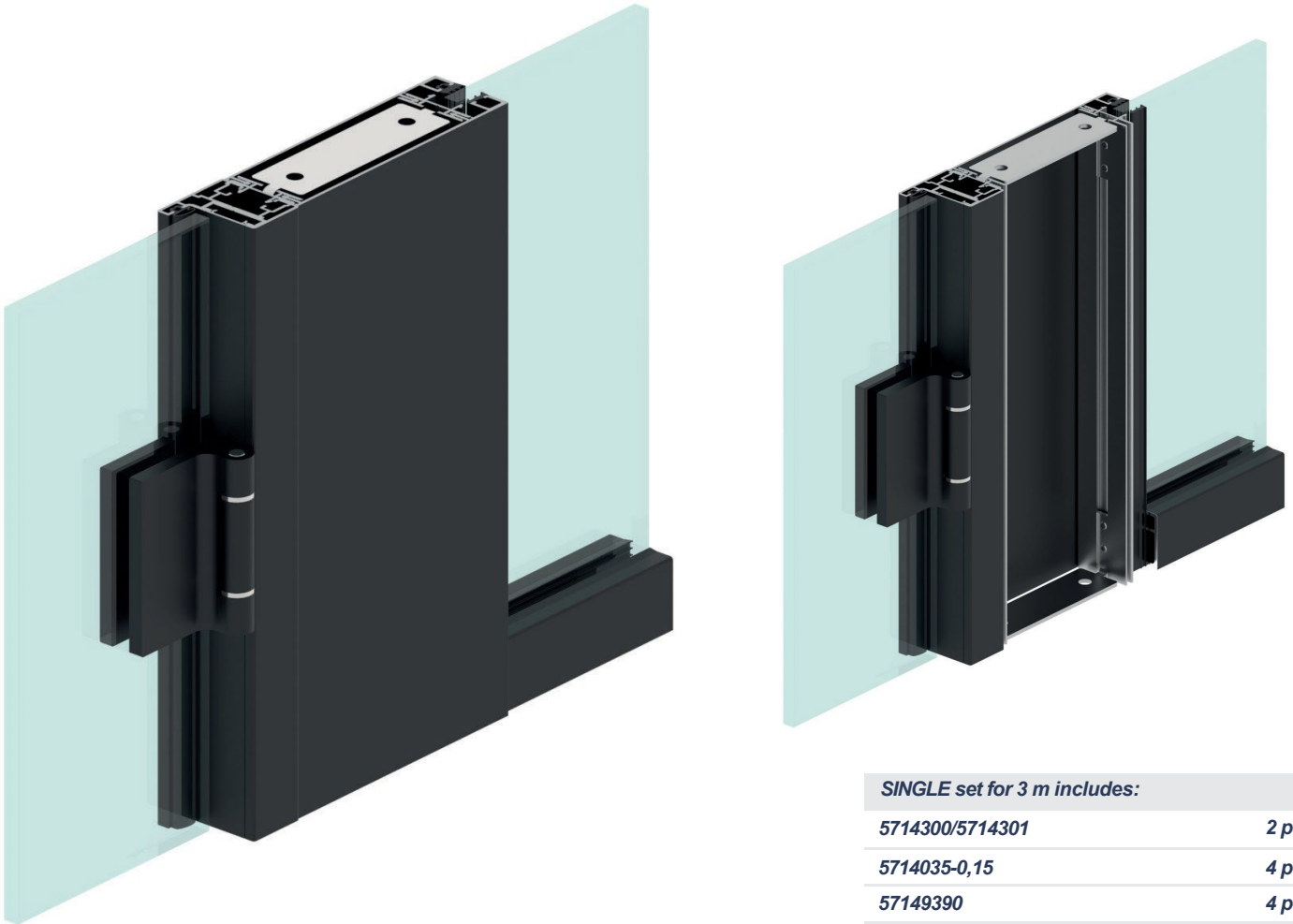
www.steelproduct.at



STEELPRODUCT



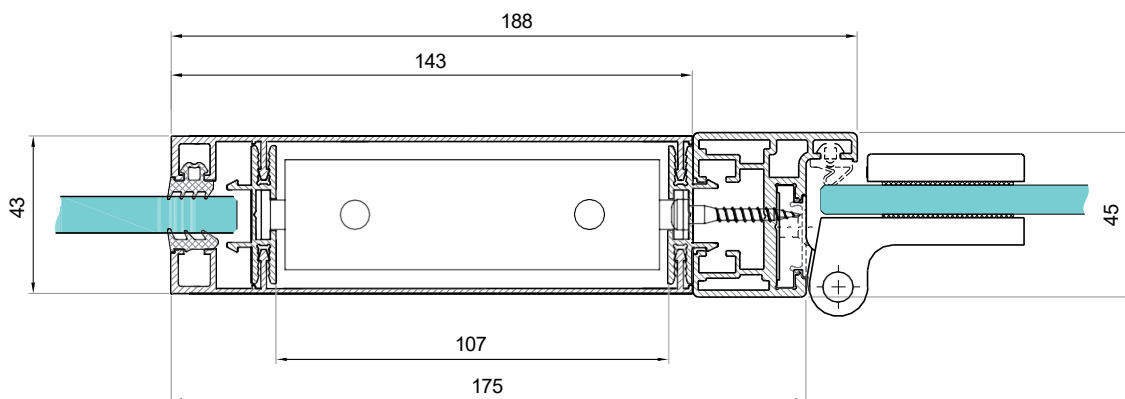
Installation pole SINGLE



SINGLE set for 3 m includes:

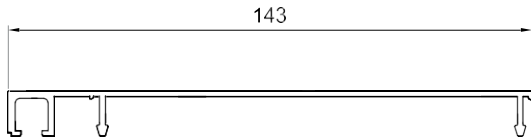
5714300/5714301	2 pc.
5714035-0,15	4 pc.
57149390	4 pc.
5714908-5714912	3 m

Measuring schema



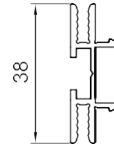
LOFT / OFFICE

Installation pole SINGLE - cover



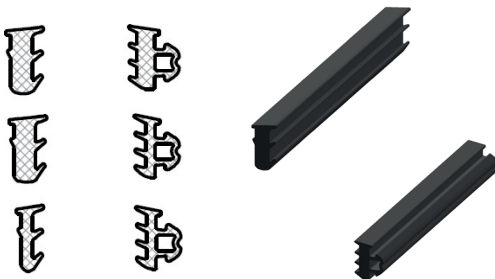
Product code	L	Finish
5714300-3	3000 mm	black anodised
5714300-6	6000 mm	black anodised
5714301-3	3000 mm	silver anodised
5714301-6	6000 mm	silver anodised
Properties		
Material	aluminium	

Installation pole SINGLE - base profile



Product code	L	Finish
5714350-0,15	150 mm	raw aluminium
5714350-6	6000 mm	raw aluminium
Properties		
Material	aluminium	

Glass fix seal for SINGLEcover



Product code	Glass thickness	Finish
5714908	8 mm	black
5714910	10-10,76 mm	black
5714912	12-12,76 mm	black
Properties		
Material	PVC	

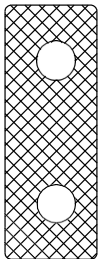
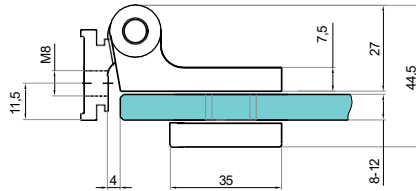
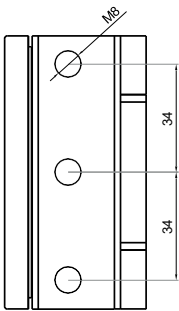
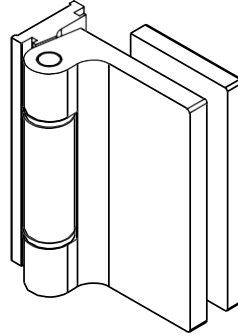
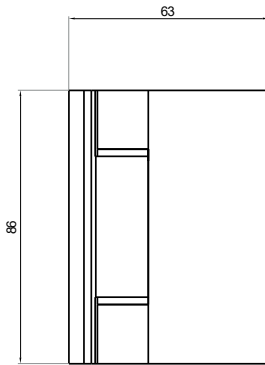
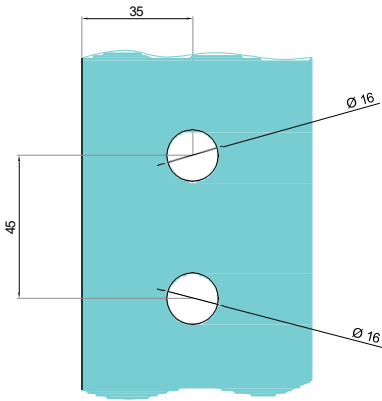
Installation pole SINGLE - mounting corner



Product code
5714390
Properties
Material

stainless steel

Door frame hinge, slim version



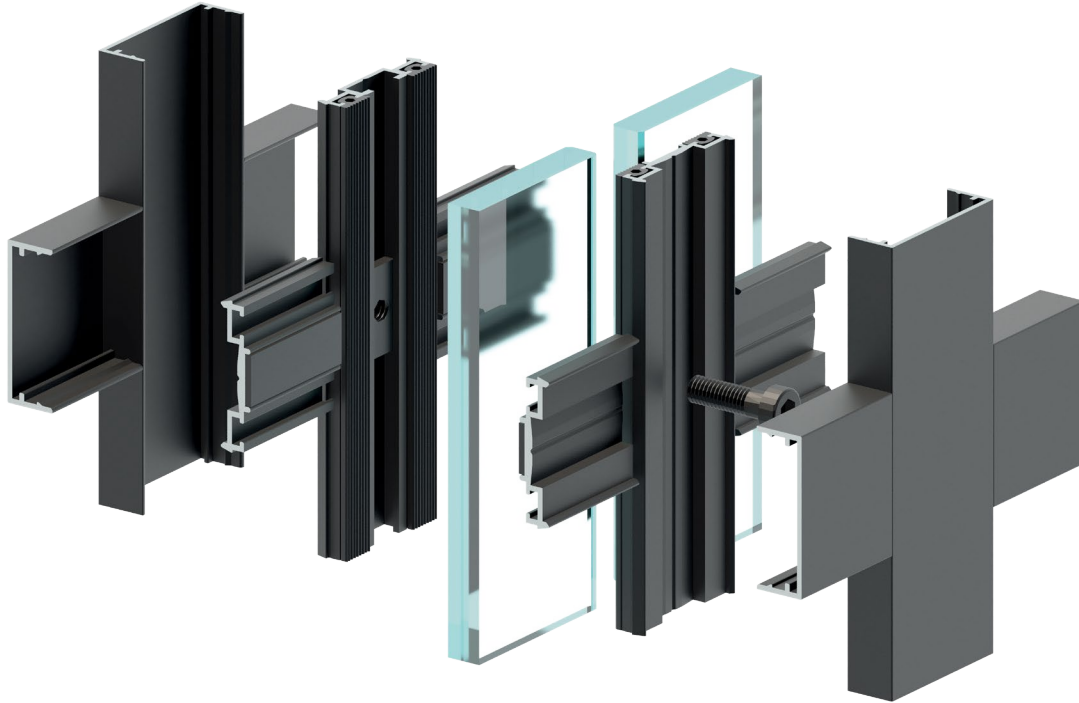
Gasket thickness
1,0mm sticked to the plate
1,5mm sticked to the body

Product code	Finish
5714950	black anodised
5714951	silber anodised

Properties	
Glass door thickness	8-10 mm
Material	aluminium
Maximum door width	2400 mm

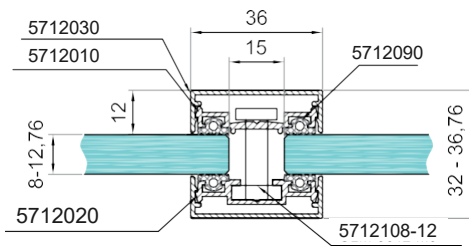
Above 2200 mm height, it is recommended to use 3 hinges

Grid profile sets - horizontal and vertical



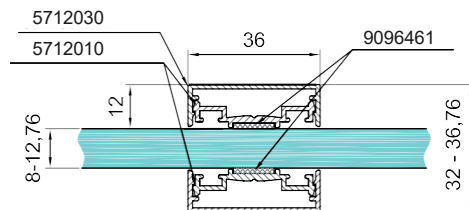
Vertical set for 3 m includes:

5712010	1 pc.
5712020	1 pc.
5712030	2 pc.
5712108-5712112	1 set
5725090	12 mb

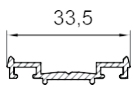


Horizontal set for 3 m includes:

5712010	2 pc.
5712030	2 pc.
9096461	1 pc.

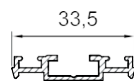


Grid profile - base profile 1



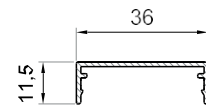
Product code	L
5712010-3	3000 mm
5712010-6	6000 mm
Properties	
Material	aluminium
Finish	black anodised

Grid profile - base profile 2



Product code	L
5712020-3	3000 mm
5712020-6	6000 mm
Properties	
Material	aluminium
Finish	black anodised

Grid profile cover



Product code	L
5712030-3	3000 mm
5712030-6	6000 mm
Properties	
Material	aluminium
Finish	black anodised

Grid profile base seal



Product code	Finish
5712090	black
Properties	
Material	EPDM

Adhesive tape for grid profile



Product code	Length
9096461	20 m
Properties	
Colour	black
Dimensions	1,5x8 mm

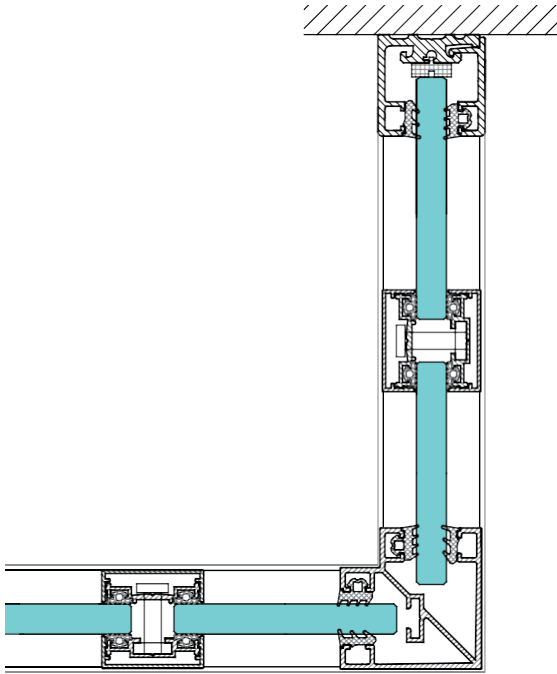
Set of screws to connect base grid profiles



Product code	Glass thickness
5712108	8 mm
5712110	10 mm
5712112	12 mm
Properties	

Set includes 6 screws

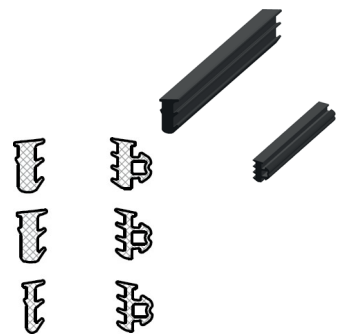
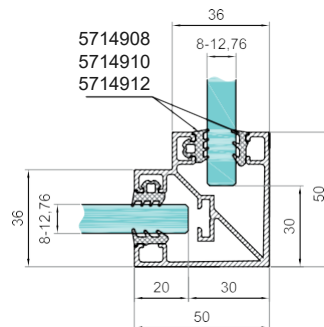
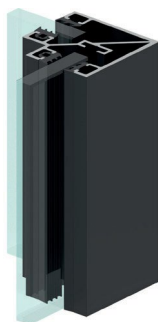
Office door with grid profiles and corner profile



Set of mounting corners to connect Profile

90° corner profile - 50x50 mm

Seal for corner profile

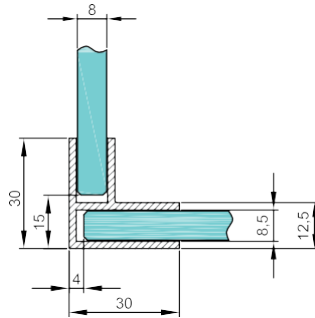
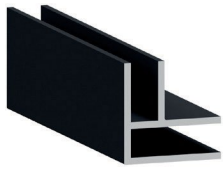


Product code	
5714590	
Properties	
Material	stainless steel

Product code	L	Finish
5714500-3	3000 mm	black anodised
5714500-5	6000 mm	black anodised
Properties		
Material		aluminium

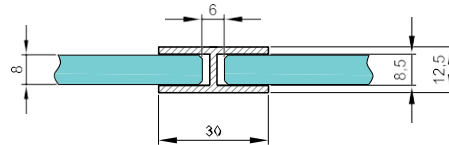
Product code	Glass	Finish
5714908	8 mm	black
5714910	10-10,76 mm	black
5714912	12-12,76 mm	black
Properties		
Material		PVC

H Profile - 90° - 30x30 mm for glass 8 mm



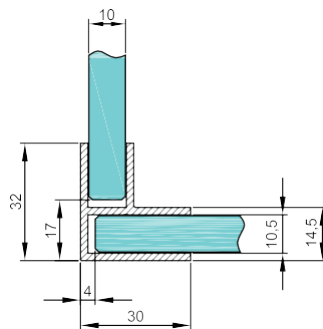
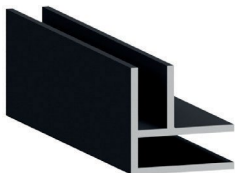
Product code	L	Finish
5710220	3000 mm	black anodised
Properties		
Glass thickness	8 mm	
Material	aluminium	

H Profile - 180° - for glass 8 mm



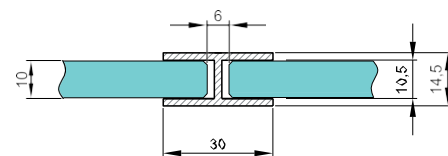
Product code	L	Finish
5710200	3000 mm	black anodised
Properties		
Glass thickness	8 mm	
Material	aluminium	

H Profile - 90° - 30x30 mm for glass 10 mm

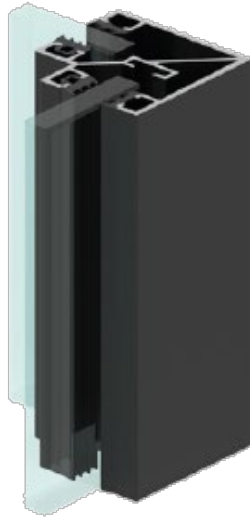
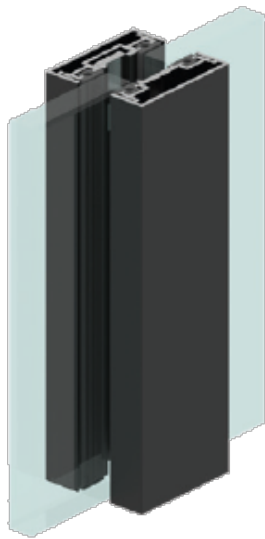


Product code	L	Finish
5710230	3000 mm	black anodised
Properties		
Glass thickness	10 mm	
Material	aluminium	

H Profile - 180° - for glass 10 mm



Product code	L	Finish
5710210	3000 mm	black anodised
Properties		
Glass thickness	10 mm	
Material	aluminium	



PRODUCT CATEGORIES

LOFT / OFFICE SYSTEM

LOFT / OFFICE SLIDINGDOOR DOOR

LOFT STYLE GLASDOOR

CONTACT

STEELPRODUCT GMBH

HEADQUARTERS

Raffelstettnerstraße 2b
4481 Asten
Austria

office@steelproduct.at
sales@steelproduct.at
+43 7224 20 919

www.steelproduct.at